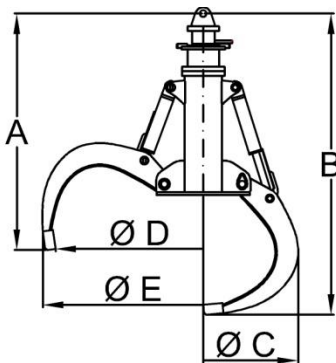
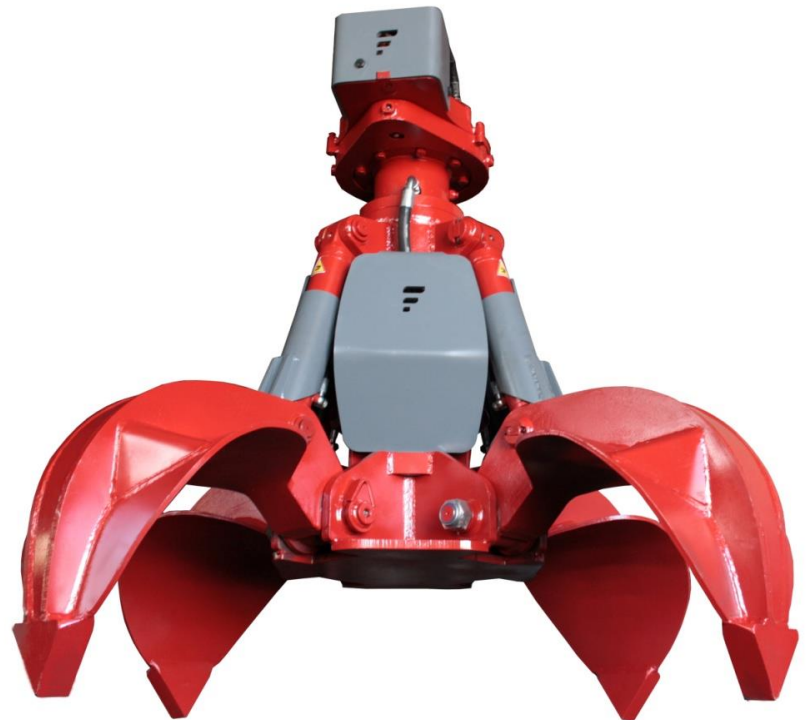





BROCHURE CN RANGE

The CN range os polyp grabs are faithful to the classic design, with vertical outside cylinders fixed to a strong structure and a powerful rotation with motor and sturdy slewing ring.

There are designed models situable for material handling machines of different tonnages.



MODEL	CAPACITY LT.	MAX. BAR	Nº OF TINES	WEIGHT KG.	 Ton.	A	B	C	D	E
						mm.				
CN-400 (GHC 18T)	400	300	4	1100	15 - 20	1200	1950	1180	1800	2000
CN-500 (GHC 18T)	500	300	4/5	1400 (4)	20 - 25	1600	2100	1220	2000	2200
CN-700 (GHC 20T)	700	300	4/5	1800 (4)	25 - 35	1700	2200	1350	2200	2400