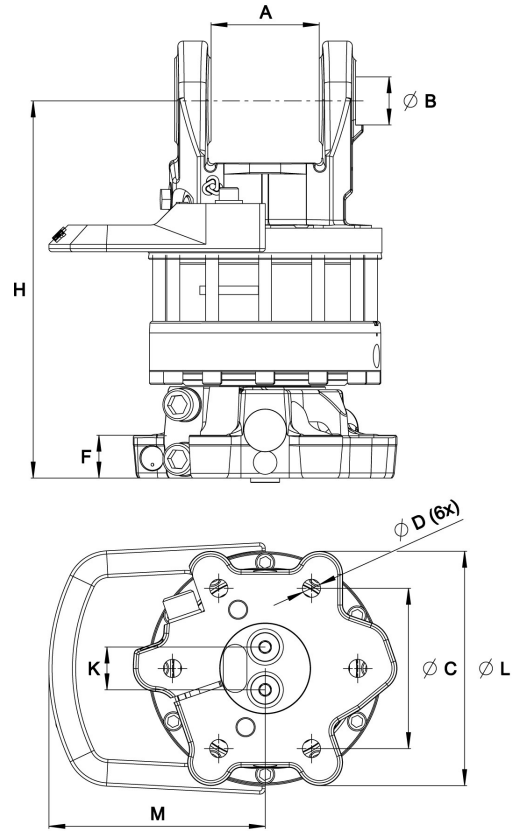
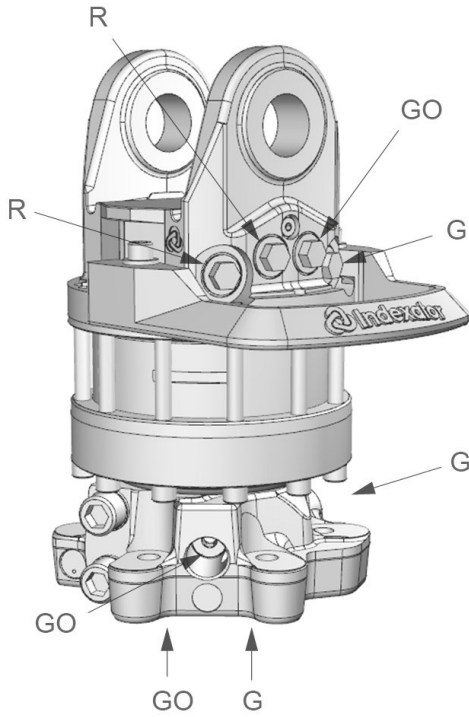











GV 17S

Part No.: 5217275



| Upper connection | Lower connection |
|------------------|------------------|
| G 1/2 | G 1/2 |

| | | | | | | | | |
|--------------|--------------|---------------|--------------|-------------|--------------|-------------|---------------|--------------|
| A: 101 mm | B: Ø45 mm | C: Ø173 mm | D: Ø17 mm | F: 40 mm | H: 353 mm | K: 40 mm | L: Ø243 mm | M: 202 mm |
|--------------|--------------|---------------|--------------|-------------|--------------|-------------|---------------|--------------|

| | | | | | | | | |
|---|---|--|--|---|---|--|--|--|
|  |  | Max  | Max  |  | Max  | Max  | Max  | Max  |
| 63.6 kg | 360° | 160 kN | 50 kN | 3300 Nm | 35 l/min | 25 MPa | 25 MPa | 25 MPa |

Adapter sets are available for alternative connections.

For further technical information relating to integration and hydraulic connections, please contact rotator@indexator.com