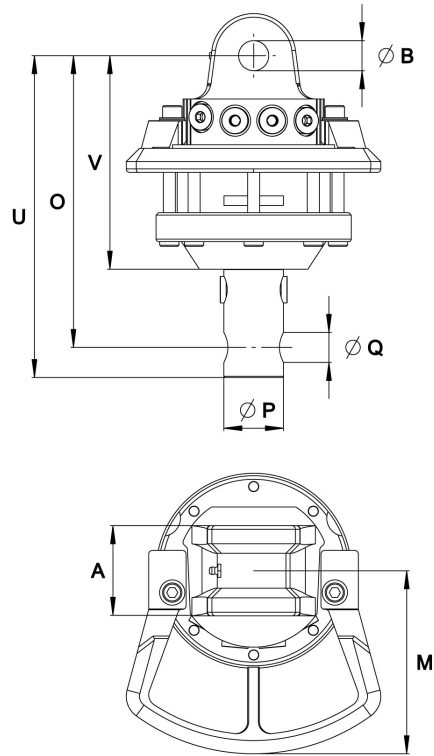
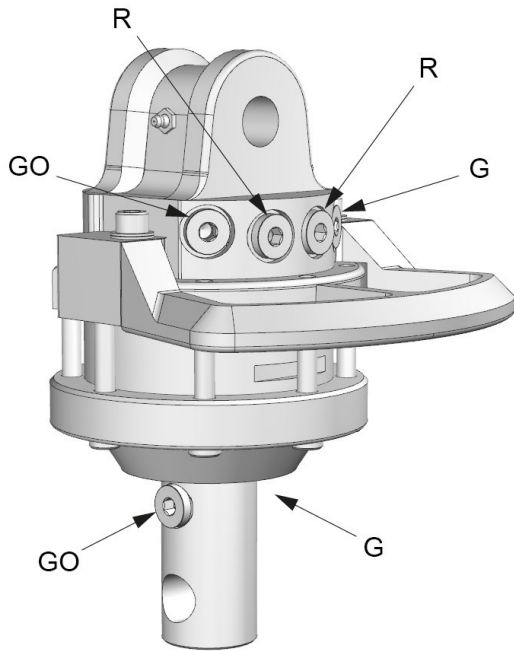











GV 3 -49,5/25 P

Part No.: 5002300



| Upper connection | Lower connection |
|------------------|------------------|
| G 3/8 | G 3/8 |

| | | | | | | | |
|-------------|--------------|--------------|--------------|----------------|--------------|--------------|--------------|
| A: 75 mm | B: Ø25 mm | M: 152 mm | O: 243 mm | P: Ø49,5 mm | Q: Ø25 mm | U: 268 mm | V: 178 mm |
|-------------|--------------|--------------|--------------|----------------|--------------|--------------|--------------|

| | | | | | | | | |
|---|---|--|--|---|--|--|--|--|
|  |  | Max  | Max  |  | Max  | Max  | Max  | Max  |
| 17.4 kg | 360° | 30 kN ¹ | 12.5 kN | 950 Nm | 10 l/min | 25 MPa | 20 MPa ² | 30 MPa |

¹ 40 kN when mounted to a piece goods crane.

² 25 MPa when mounted to a piece goods crane.

Rotator where the connections and tap hole through the shaft are parallel.

Adapter sets are available for alternative connections.

We reserve the right to make product changes. For further technical information relating to integration and hydraulic connections, please contact rotator@indexator.com