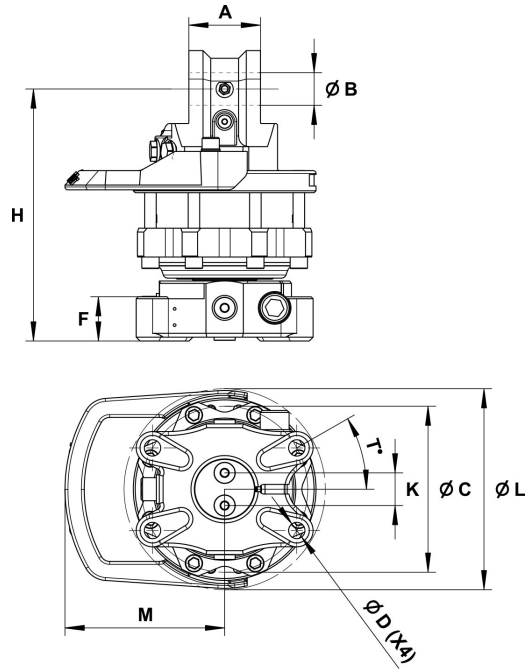
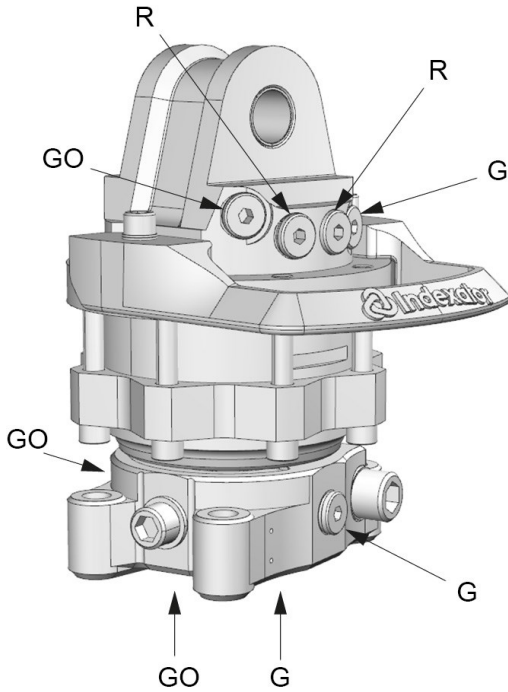


# GV 4/30 I

Part No.: 5002634



Upper connection	Lower connection
G 3/8	G 3/8

A: 75 mm	B: Ø30 mm	C: Ø173 mm	D: Ø17 mm	F: 46 mm	H: 263 mm	K: 34 mm	L: Ø207 mm	M: 166 mm	T: 30°
-------------	--------------	---------------	--------------	-------------	--------------	-------------	---------------	--------------	-----------

		Max 	Max 		Max 	Max 	Max 	Max 
31.9 kg	360°	45 kN	25 kN	1150 Nm	12 l/min	25 MPa	30 MPa	30 MPa

Adapter sets are available for alternative connections.

We reserve the right to make product changes. For further technical information relating to integration and hydraulic connections, please contact [rotator@indexator.com](mailto:rotator@indexator.com)