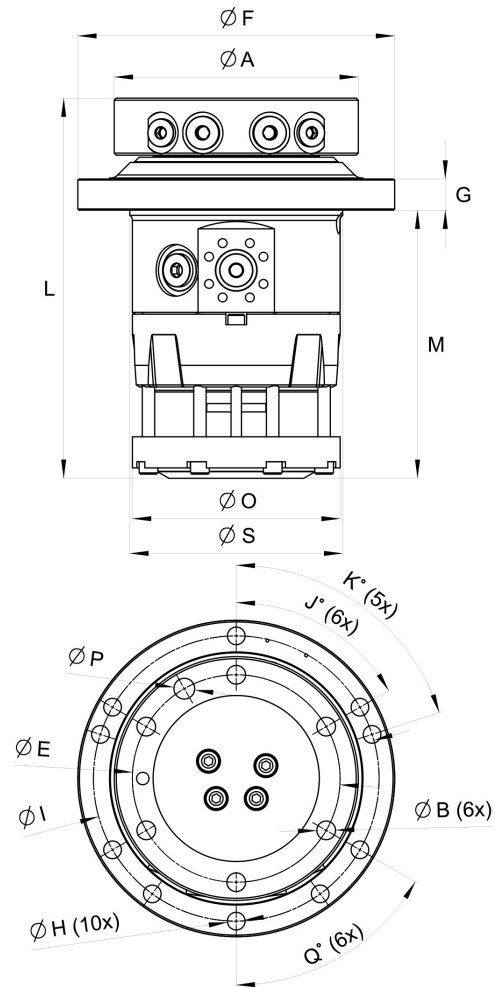
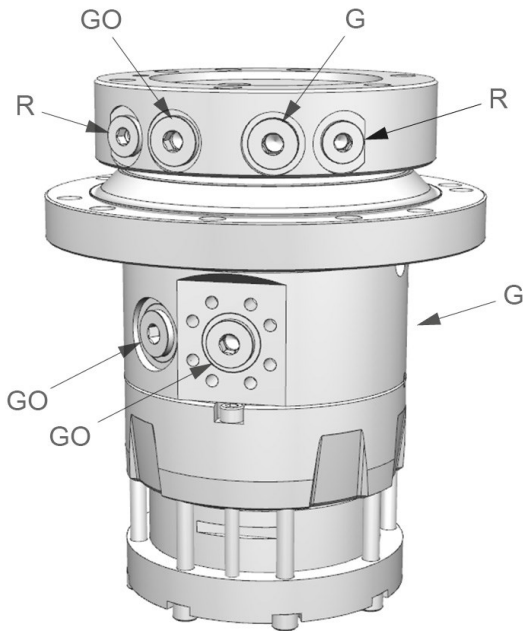


IR 10 M20

Part No.: 8000309



Upper		Lower		
G G0: G 3/4	R: G 1/2	G: SAE 3000 DN 25 / G 3/4	G0: SAE 3000 DN 25 / G 3/4	G0: G 3/4

A: Ø235 mm	B: M20	E: Ø200 mm	F: Ø305 mm	G: 30 mm	H: Ø17 mm	I: Ø275 mm	J: 60°	K: 72°	L: 367 mm	M: 259 mm	O: Ø200 mm	P: Ø20 mm	Q: 60°
S: Ø205 mm													

84.6 kg	360°	±250 kN	±70 kN	2100 Nm	25 l/min	19 MPa	35 MPa	35 MPa	35 MPa

Pressure limiting valves fitted in the motor.

We reserve the right to make product changes. For further technical information relating to integration and hydraulic connections, please contact rotator@indexator.com