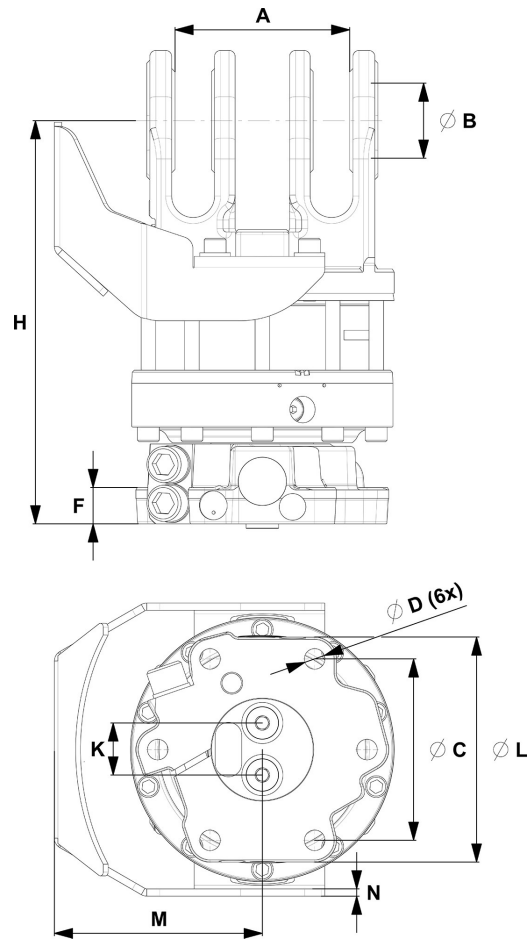
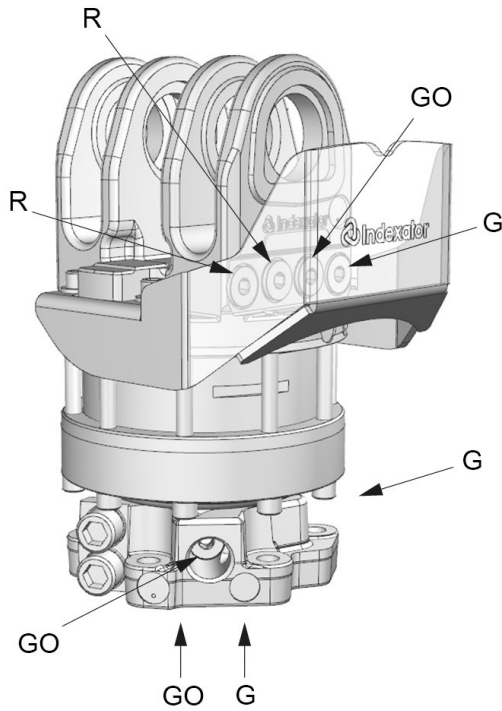


# G 121 Y










Part No.: 7212052

- Protected Hose Routing



Upper connection	Lower connection
G 1/2	G 1/2

A: MPB1	B: MPB	C: Ø173 mm	D: Ø17 mm	F: 30 mm	H: 333 mm	K: 43 mm	L: Ø209 mm	M: 164 mm	N: 6 mm
------------	-----------	---------------	--------------	-------------	--------------	-------------	---------------	--------------	------------

								
57.2 kg	360°	100 kN	50 kN	2200 Nm	25 l/min	25 MPa	25 MPa	25 MPa

Adapter sets are available for alternative connections.

For further technical information relating to integration and hydraulic connections, please contact [rotator@indexator.com](mailto:rotator@indexator.com)